



# Crusher Mills

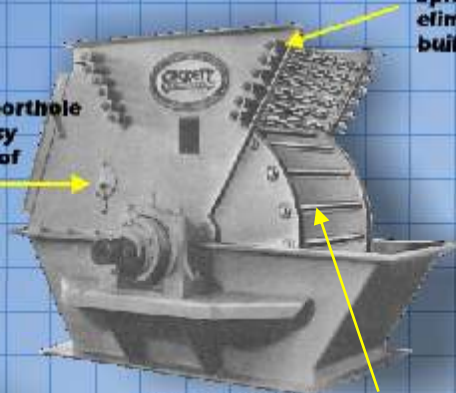
A. J. Sackett & Sons single and double rotor mills are designed to reliably and efficiently downsize bulk materials. They are built in a wide variety of sizes and styles to best meet users specific requirements. All Sackett mills are built with the highest quality components, including roller bearings with split housings, balanced rotors, high grade alloy steel chains and bars and wear resistant liners. All mill housings split at the rotor shaft to make maintenance simpler. When you compare, you will find Sackett mills to offer the best in performance and reliability.



Part of a shipment of 12 TR60 mills for two DAP/NPK granulation plants

Spring-mounted chain curtain eliminates excessive material buildup.

Convenient porthole facilitates easy replacement of rotor bars.



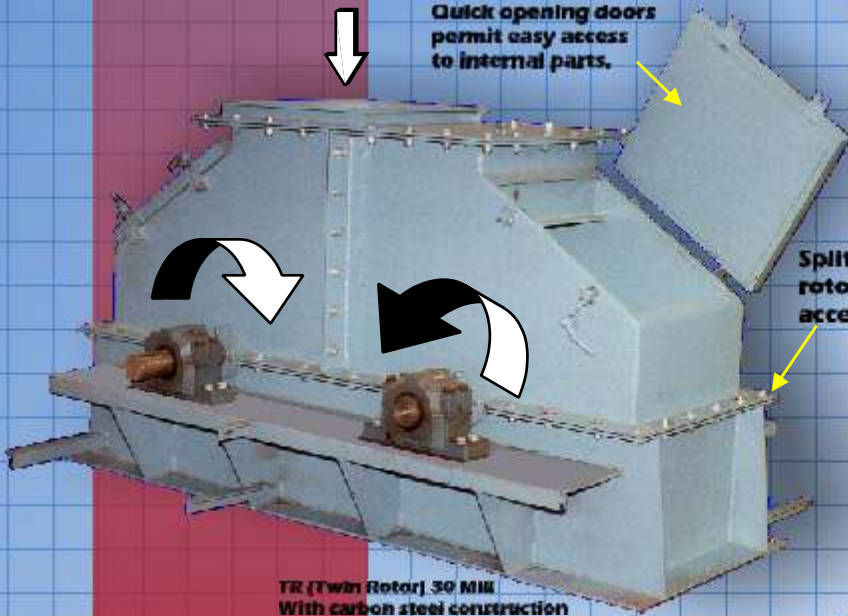
Model 15RSR single rotor reversible rotor crusher

The reversible rotor crusher allows the operator to reverse rotation of the rotor, permitting longer operating periods between wear parts replacement. This effectively doubles replaceable part service life.

RSR Mills use chain or rotor bars. Rotor bars shown.

Incoming material

Quick opening doors permit easy access to internal parts.



Split housing for easy rotor maintenance access



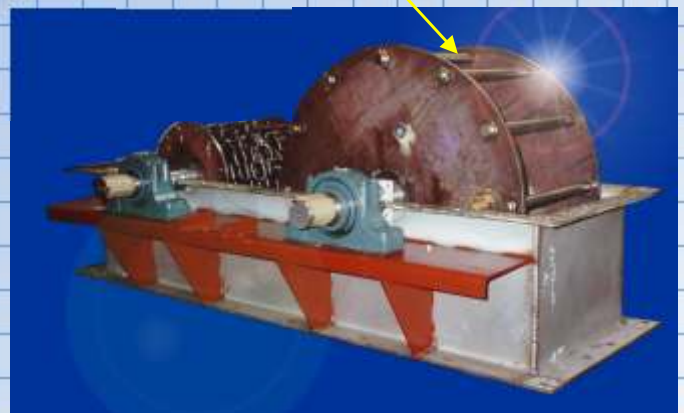
Model 15 Twin Rotor (TR) Mill At Fertilizer Granulation Plant

Precisely balanced rotor provides maximum bearing life

TR (Twin Rotor) 30 Mill With carbon steel construction



Accoloy Grade 80 or comparable high strength alloy chain, 3/4" typical

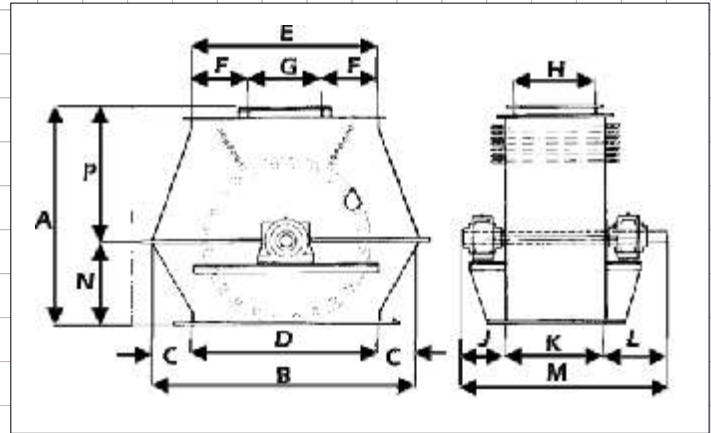


Extra large diameter shafts (2-15/16") for reducing deflection and improving bearing life



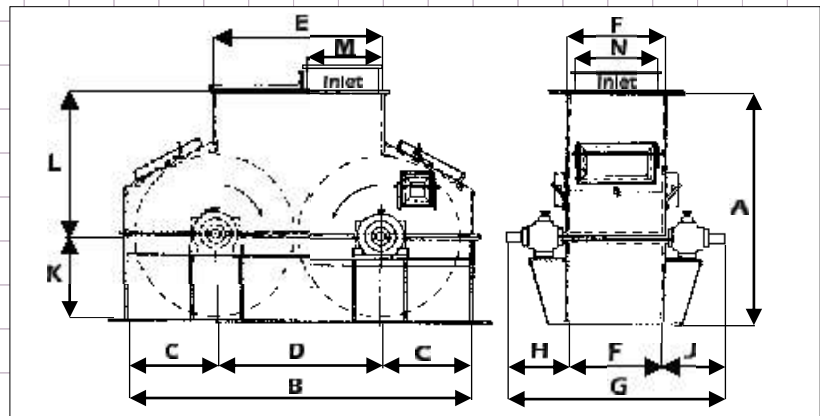
# Crusher Mill Specifications

## Single Rotor Mill



ENGLISH		INCHES													
MODEL	A	B	C	D	E	F	G	H	J	K	L	M	N	P	
15RSR	34.25	43	6	31	31	9.5	12	16	10.5	18	15.75	44.25	12	22.25	
30RSR	52.25	64	10	44	44	13	18	18	14.188	24	19.188	57.3	19	33.25	
60RSR	70.375	86	13	60	60	18	24	26	14.5	32	20.5	67	27	43.375	
METRIC		METERS													
MODEL	A	B	C	D	E	F	G	H	J	K	L	M	N	P	
15RSR	0.870	1.092	0.152	0.787	0.787	0.241	0.305	0.406	0.267	0.457	0.400	1.124	0.305	0.565	
30RSR	1.327	1.626	0.254	1.118	1.118	0.330	0.457	0.457	0.360	0.610	0.487	1.455	0.483	0.845	
60RSR	1.788	2.184	0.330	1.524	1.524	0.457	0.610	0.660	0.368	0.813	0.521	1.702	0.686	1.102	

## Double Rotor Mill



ENGLISH		INCHES												
MODEL	A	B	C	D	E	F	G	H	J	K	L	M	N	
15TR	38	60	16.7	26.5	28.5	19	46.2	7	12	13.5	24.5	13	18	
30TR	50	85	22.5	40	41	25	52	12	15	19	31	20	24	
60TR	76	114.6	30	54.6	57	33	61	12	16	28	48	28	32	
METRIC		METERS												
MODEL	A	B	C	D	E	F	G	H	J	K	L	M	N	
15TR	0.965	1.524	0.424	0.673	0.724	0.483	1.173	0.178	0.305	0.343	0.622	0.330	0.457	
30TR	1.270	2.159	0.572	1.016	1.041	0.635	1.321	0.305	0.381	0.483	0.787	0.508	0.610	
60TR	1.930	2.911	0.762	1.387	1.448	0.838	1.549	0.305	0.406	0.711	1.219	0.711	0.813	

The A. J. Sackett & Sons Company  
 1701 South Highland Avenue  
 Baltimore, MD 21224 USA  
 410-276-4466, Fax 410-276-0241  
[www.ajsackett.com](http://www.ajsackett.com) e-mail: [sales@ajsackett.com](mailto:sales@ajsackett.com)