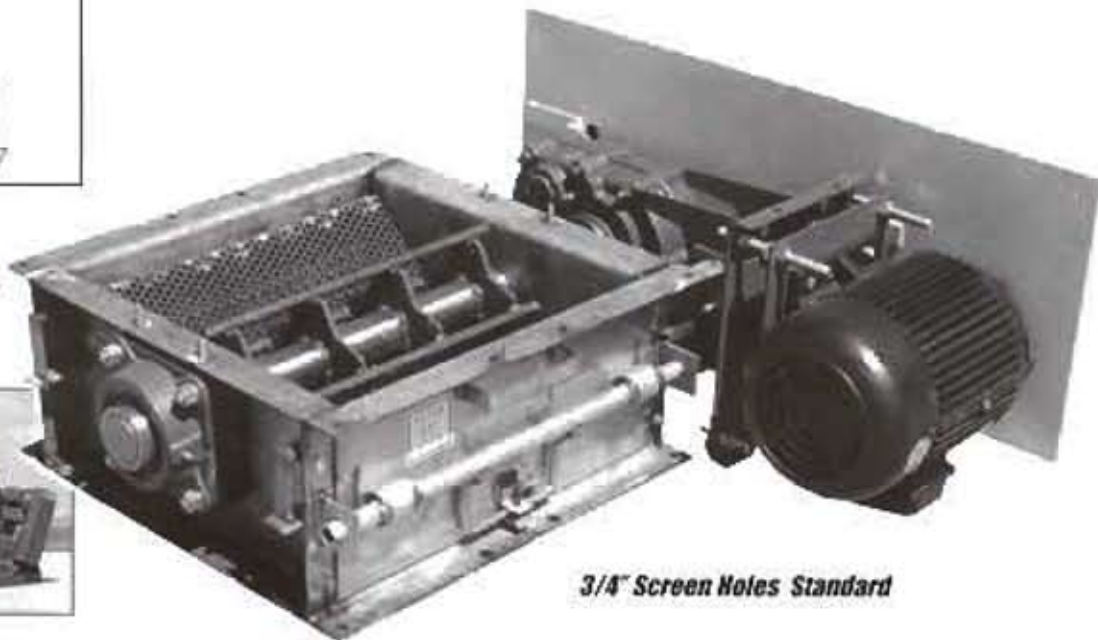
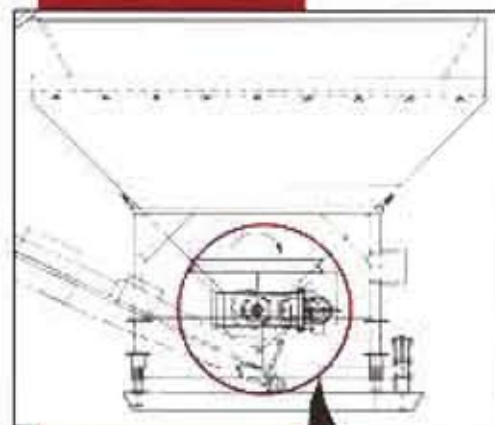




# Model BC21 Bulk-Conditioner

The A. J. Sackett & Sons BC21 "Mini-Conditioner" is a compact and reliable fertilizer conditioner for mounting on fertilizer blend systems. Its compact size allows it to be retrofitted to the bottom of existing weigh hoppers. Built and engineered by A. J. Sackett & Sons, you know it is a long-lasting piece of equipment.



*3/4" Screen Holes Standard*



1

*Quick release end doors*



2

*Quick release screen via pull rods*



3



4

## ***Fast & Easy Screen Removal***

The screen conveniently removes for trash removal and cleaning.

***Quality Since 1897***

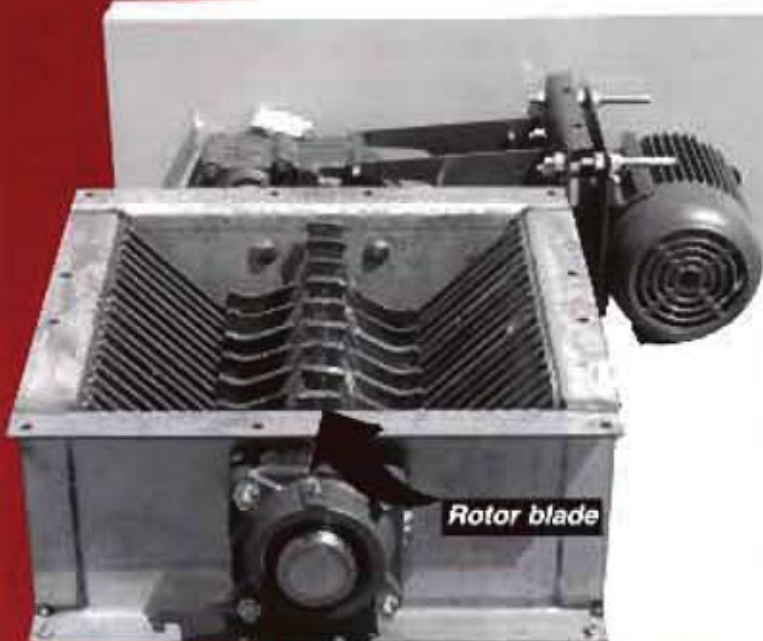
The A. J. Sackett & Sons Company ♦ 1701 S. Highland Avenue ♦ Baltimore, MD 21224 USA

800-274-4466 ♦ 410-276-4466 ♦ FAX 410-276-0241 ♦ [www.ajsackett.com](http://www.ajsackett.com)



# Model LB21 Lump-Buster

The LB21 is a fast, compact, convenient, and reliable fertilizer clod breaker for mounting on hopper discharges. Its compact size allows it to be retrofitted to the bottom of a variety of existing weigh hoppers. This system is a good choice for downsizing harder lumps. Because this unit does not include a screen, there is no need for clean out doors.



Rotor blade

*If this is what you are often faced with, let the Sackett Lump-Buster break your lumps. You will waste less product while increasing your speed.*



Waste pack seal to protect bearings.

Grate opening space is 3/4". The grate is made of 3/8" thick steel, as are the rotor blades. The rotor turns at a slow RPM to reduce dust & degradation.

Class II gear box drive standard.

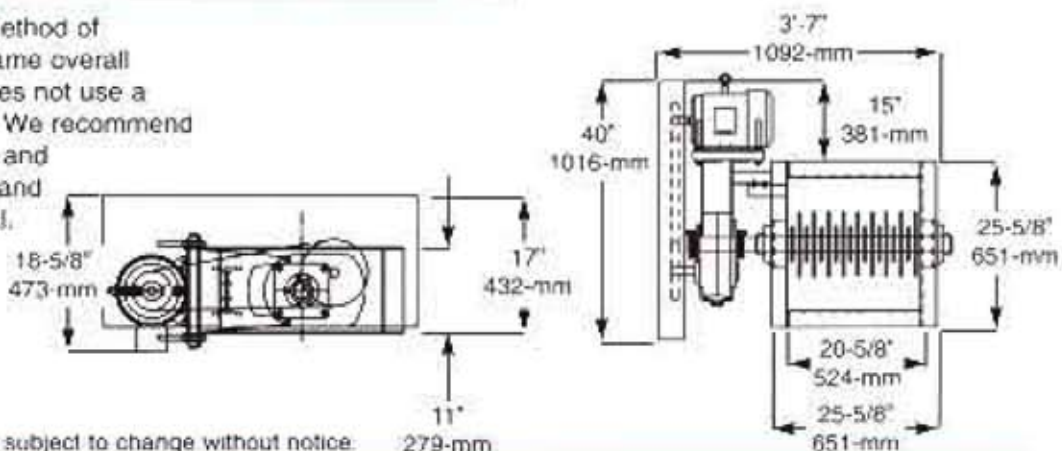


Housing built of 3/16" thick type 304 stainless steel.

## LB21 & BC21 Dimensions

The LB21 & BC21, although their method of conditioning is different, have the same overall dimensions. Note that the LB21 does not use a screen but a non-removable grate. We recommend the LB21 for high humidity climates and the BC21 for low humidity climates and where fertilizer sizing is more critical.

Sackett also offers larger conditioners and Lump-Busters



Specifications subject to change without notice.

The A. J. Sackett & Sons Company ♦ 1701 S. Highland Avenue ♦ Baltimore, MD 21224 USA

800-274-4466 ♦ 410-276-4466 ♦ FAX 410-276-0241 ♦ www.ajsackett.com